

## Oprawki zaciskowe do tulejek ER

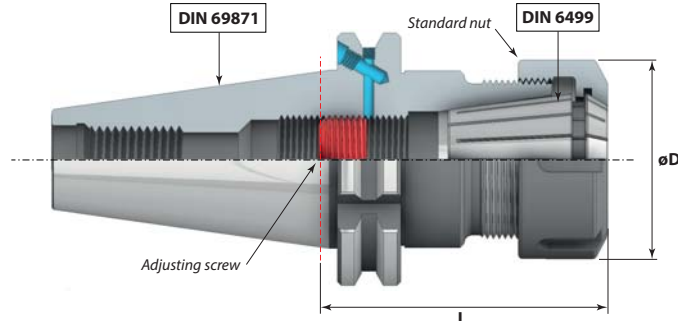
Collet chucks for Collets DIN6499 (ER)

Spannfutter für Spannzangen DIN6499 (ER)

Патроны цанговые ER по DIN 6499



**ER**  
DIN6499



**DIN 69871 (DIN)**

**MAS 403-BT (BT)**

Kod produktu Order No. / Bestell-Nr. / Код товара	Stožek Holder (7:24)	Tulejka Collet (DIN6499)	L DIN / BT (mm)	Zakres moc. Clamp. Range (mm)	ø D (mm)
DIN50.ER16.L70	BT50.ER16.L80	ER16	70/80	1 ÷ 10	32
DIN50.ER16.L100	BT50.ER16.L100	ER16	100	1 ÷ 10	32
DIN50.ER16.L160	BT50.ER16.L160	ER16	160	1 ÷ 10	32
DIN50.ER16.L200	BT50.ER16.L200	ER16	200	1 ÷ 10	32
DIN50.ER25.L70	BT50.ER25.L80	ER25	70/80	1 ÷ 16	42
DIN50.ER25.L100	BT50.ER25.L100	ER25	100	1 ÷ 16	42
DIN50.ER25.L160	BT50.ER25.L160	ER25	160	1 ÷ 16	42
DIN50.ER25.L200	BT50.ER25.L200	ER25	200	1 ÷ 16	42
DIN50.ER32.L70	BT50.ER32.L80	ER32	70/80	1 ÷ 16	50
DIN50.ER32.L100	BT50.ER32.L100	ER32	100	1 ÷ 20	50
DIN50.ER32.L160	BT50.ER32.L160	ER32	160	1 ÷ 20	50
DIN50.ER32.L200	BT50.ER32.L200	ER32	200	1 ÷ 20	50
DIN50.ER40.L80	BT50.ER40.L80	ER40	80	3 ÷ 30	63
DIN50.ER40.L100	BT50.ER40.L100	ER40	100	3 ÷ 30	63
DIN50.ER40.L160	BT50.ER40.L160	ER40	160	3 ÷ 30	63
DIN50.ER40.L200	BT50.ER40.L200	ER40	200	3 ÷ 30	63
DIN50.ER50.L100	BT50.ER50.L100	ER50	100	12 ÷ 34	78
DIN50.ER50.L160		ER50	160	12 ÷ 34	78

**G6,3**

8 000 r.p.m.  
STANDARD

**AD+B**

**G2,5**

25 000 r.p.m.  
OPTION

### DOUBLE CONTACT (DC):

**Nowość / New**

Kod produktu	Stožek	Tulejka	L	Zakres moc.	ø D
DIN50DC.ER16.L80	BT50DC.ER16.L80	ER16	80	1 ÷ 12	28
DIN50DC.ER16.L100	BT50DC.ER16.L100	ER16	100	1 ÷ 12	28
DIN50DC.ER25.L80	BT50DC.ER25.L80	ER25	80	1 ÷ 20	42
DIN50DC.ER25.L100	BT50DC.ER25.L100	ER25	100	1 ÷ 20	42
DIN50DC.ER32.L80	BT50DC.ER32.L80	ER32	80	1 ÷ 25	50
DIN50DC.ER32.L100	BT50DC.ER32.L100	ER32	100	1 ÷ 25	50
DIN50DC.ER40.L80	BT50DC.ER40.L80	ER40	80	3 ÷ 32	63
DIN50DC.ER40.L100	BT50DC.ER40.L100	ER40	100	3 ÷ 32	63

**G2,5**

25 000 r.p.m.  
STANDARD

**AD+B**

### Produkty powiązane / Related Products



Uchwyty narzędziowe wymienione w tabeli są standardem. Wykonujemy również uchwyty w wersji specjalnej wg ustaleń klienta.  
Toolholders in the table are the standard. We also make toolholders in the special version according to the customer settlements.