

Oprawka do narzędzi z chwytem walcowym

Boring bar holder

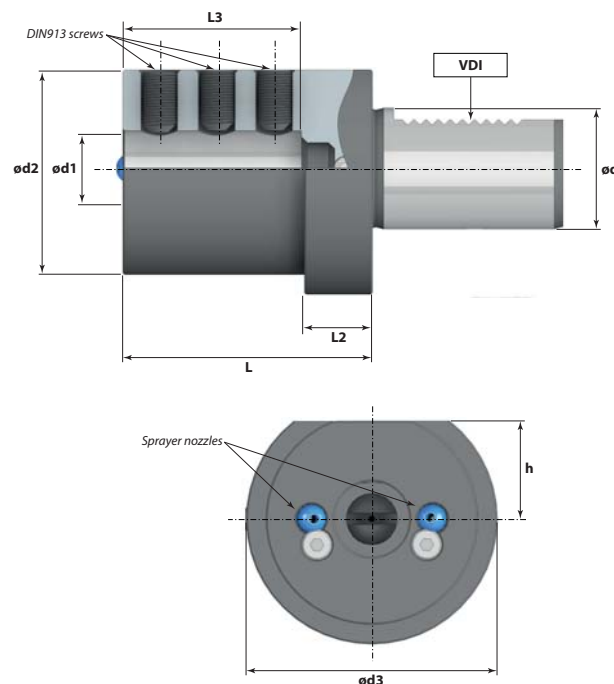
Bohrstangenhalter

Державки для инструментов с цилиндрическим хвостовиком



Form E2

Kod produktu Order No. Bestell-Nr. Код товара	ø d (mm)	ø d1 (mm)	ø d2 (mm)	ø d3 (mm)	L (mm)	L2 (mm)	L3 (mm)	h (mm)
VDI.E2.20.08	20	8	40	50	50	18	41	-
VDI.E2.20.10	20	10	40	50	50	18	41	-
VDI.E2.20.12	20	12	40	50	50	18	41	-
VDI.E2.20.16	20	16	40	50	50	18	41	-
VDI.E2.20.20	20	20	50	50	50	18	41	-
VDI.E2.20.25	20	25	50	50	60	18	41	-
VDI.E2.25.08	25	8	40	58	50	20	41	-
VDI.E2.25.10	25	10	40	58	50	20	41	-
VDI.E2.25.12	25	12	40	58	50	20	41	-
VDI.E2.25.16	25	16	40	58	50	20	41	-
VDI.E2.25.20	25	20	58	58	50	20	41	-
VDI.E2.25.25	25	25	58	58	60	20	41	-
VDI.E2.30.08	30	8	55	68	60	22	51	28
VDI.E2.30.10	30	10	55	68	60	22	51	28
VDI.E2.30.12	30	12	55	68	60	22	51	28
VDI.E2.30.16	30	16	55	68	60	22	51	28
VDI.E2.30.20	30	20	55	68	60	22	51	28
VDI.E2.30.25	30	25	55	68	60	22	51	28
VDI.E2.30.32	30	32	68	68	75	22	51	28
VDI.E2.40.08	40	8	55	83	75	22	61	32.5
VDI.E2.40.10	40	10	55	83	75	22	61	32.5
VDI.E2.40.12	40	12	55	83	75	22	61	32.5
VDI.E2.40.16	40	16	55	83	75	22	61	32.5
VDI.E2.40.20	40	20	55	83	75	22	61	32.5
VDI.E2.40.25	40	25	55	83	75	22	61	32.5
VDI.E2.40.32	40	32	68	83	75	22	61	32.5
VDI.E2.40.40	40	40	83	83	90	22	61	32.5
VDI.E2.50.12	50	12	68	98	90	30	76	35
VDI.E2.50.16	50	16	68	98	90	30	76	35
VDI.E2.50.20	50	20	68	98	90	30	76	35
VDI.E2.50.25	50	25	68	98	90	30	76	35
VDI.E2.50.32	50	32	68	98	90	30	76	35
VDI.E2.50.40	50	40	98	98	90	30	76	35
VDI.E2.50.50	50	50	98	98	100	30	76	35



Produkty powiązane / Related Products



Page: 90 - 92