

## Tuleje redukcyjne do narzędzi z chwytem Morse'a z gwintem

Morse taper adaptor for tools with morse taper shank and drawbar thread

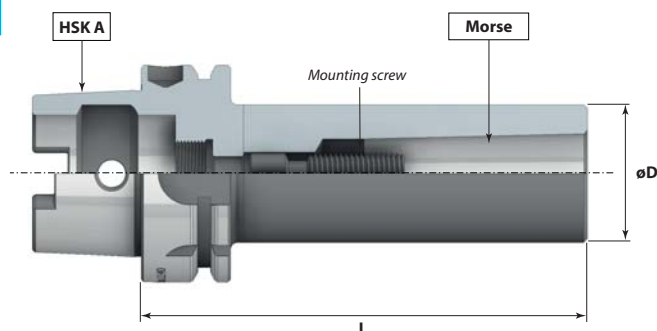
Zwischenhülsen für MK mit Anzugsgewinde

Втулки переходные для инструмента с конусом морзе с резьбой



**MORSE**  
DIN6364

**WITH**  
**DRAWBAR THREAD**



**DIN 69893 (HSK A/C)**

**DIN 69893 (HSK F)**

| Kod produktu<br>Order No. / Bestell-Nr. / Код товара |                   | Stożek<br>Holder<br>(HSK) | Stożek<br>Taper<br>(Morse) | ø d<br>(mm) | L<br>A/F<br>(mm) |
|--|-------------------|---------------------------|----------------------------|-------------|------------------|
| HSK50A.MK1sr.L100                                    | HSK50F.MK1sr.L100 | 50                        | MK1                        | 25          | 100              |
| HSK50A.MK2sr.L120                                    | HSK50F.MK2sr.L120 | 50                        | MK2                        | 32          | 120              |
| HSK50A.MK3sr.L140                                    | HSK50F.MK3sr.L140 | 50                        | MK3                        | 40          | 140              |
| HSK63A.MK1sr.L100                                    | HSK63F.MK1sr.L100 | 63                        | MK1                        | 25          | 100              |
| HSK63A.MK2sr.L120                                    | HSK63F.MK2sr.L120 | 63                        | MK2                        | 32          | 120              |
| HSK63A.MK3sr.L140                                    | HSK63F.MK3sr.L140 | 63                        | MK3                        | 40          | 140              |
| HSK63A.MK4sr.L150                                    | HSK63F.MK4sr.L160 | 63                        | MK4                        | 48          | 150/160          |
| HSK100A.MK1sr.L120                                   |                   | 100                       | MK1                        | 25          | 110              |
| HSK100A.MK2sr.L120                                   |                   | 100                       | MK2                        | 32          | 120              |
| HSK100A.MK3sr.L150                                   |                   | 100                       | MK3                        | 40          | 150              |
| HSK100A.MK4sr.L170                                   |                   | 100                       | MK4                        | 48          | 170              |
| HSK100A.MK5sr.L200                                   |                   | 100                       | MK5                        | 63          | 200              |

**G6,3**  
15 000 r.p.m.  
STANDARD

### Produkty powiązane / Related Products



Uchwyty narzędziowe wymienione w tabeli są standardem. Wykonujemy również uchwyty w wersji specjalnej wg ustaleń Klienta.  
Toolholders in the table are the standard. We also make toolholders in the special version according to the customer settlements.