

Tulejki zaciskowe - Parametry techniczne

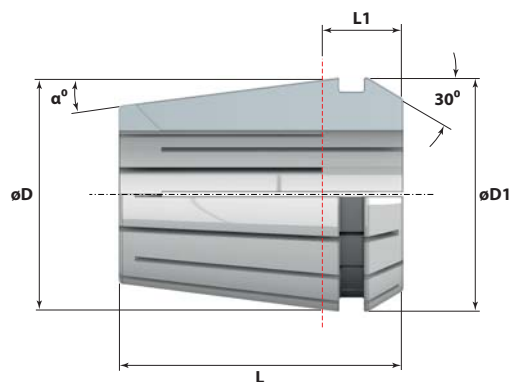
Collets - Technical parameters

Spannzangen - Technische Parameter

Цанги - Технические параметры

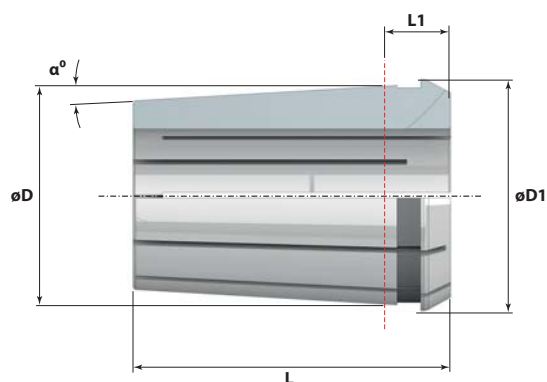
DIN 6499 ER (ISO 15488-B)

Tulejka zaciskowa Clamping collet	DIN EU	ø D (mm)	ø D1 (mm)	α° Kąt / Angle (st)	L (mm)	L1 (mm)
ER8	4004E	8	8,5	8°	13	4,5
ER11	4008E	11	11,5	8°	18	6,6
ER16	426E	16	17	8°	27,5	10,6
ER20	428E	20	21	8°	31,5	11,5
ER25	430E	25	26	8°	34	12
ER32	470E	32	33	8°	40	13
ER40	472E	40	41	8°	46	15
ER50	477E	50	52	8°	60	21



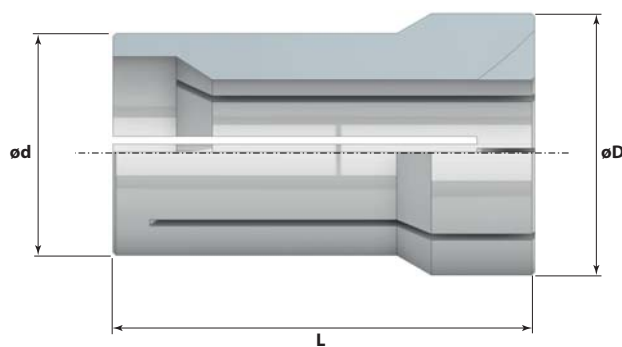
DIN 6388 EO/OZ (ISO 10897)

Tulejka zaciskowa Clamping collet	DIN EU	ø D (mm)	ø D1 (mm)	α° Kąt / Angle (st)	L (mm)	L1 (mm)
E06A	400E	-	11,5		21	-
E08A	401E	-	14,5		26	-
E010A	404E	-	17,2		30	-
E012A	407E	-	19,9		34	-
E016B	415E	22,65	25,5	2°51'45"	40	15
E020B	4541E	27,4	29,8	2°51'45"	45	16
E025B	462E	32,9	35,05	2°51'45"	52	16
E032B	467E	41,3	43,7	2°51'45"	60	17
E040B	468E	49,7	52,2	2°51'45"	68	18



ERICKSON DK/DA

Tulejka zaciskowa Clamping collet	DIN EU	ø d (mm)	ø D (mm)	L (mm)
DA300	416E	7,6	9,52	25,4
DA200	417E	11,5	13,69	30,0
DA100	418E	16,5	19,53	36,3
DA180	419E	22,2	26,03	41,4
DA400	465E		36,90	51,0



Tulejki zaciskowe - Standard precyzji wykonania

Collets - Precision standard

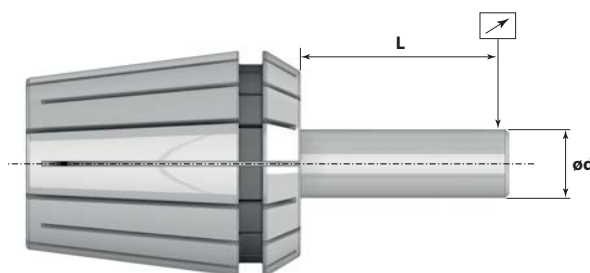
Spannzangen - Präzisionsstandard

Цанги - Точность исполнения

DIN 6499 (ISO 15488)

DIN 6388 B

ø d Średnica mocowania Clamping diameter	L (mm)	Klasa ST Class ST (mm)	Klasa HP Class HP (mm)	Klasa ST Class ST (mm)
1,0 ÷ 1,6	6	0,015 [15µm]	0,005 [5µm]	0,008 [8µm]
1,6 ÷ 3,0	10	0,015 [15µm]	0,005 [5µm]	0,008 [8µm]
3,0 ÷ 7,0	16	0,015 [15µm]	0,005 [5µm]	0,008 [8µm]
7,0 ÷ 10,0	25	0,015 [15µm]	0,005 [5µm]	0,008 [8µm]
10,0 ÷ 18,0	40	0,020 [20µm]	0,005 [5µm]	0,015 [15µm]
18,0 ÷ 25,0	50	0,020 [20µm]	0,005 [5µm]	0,015 [15µm]
25,0 ÷ 40,0	60	0,020 [20µm]	0,010 [10µm]	0,020 [20µm]



TULEJKI ZACISKOWE DO OPRAWEK NARZĘDZIOWYCH / COLLETS FOR TOOLHOLDERS

Tulejki zaciskowe - Zestawienie zakresów mocowania

Collets - Summary clamping range

Spannzangen - Zusammenfassung Klemmbereich

Цанги - Суммарный диапазон зажима



Średnica mocowania Clamping diameter	DIN 6499 (ISO 15488-B)								DIN 6388 EO/OZ (ISO 10897)					ERICKSON DK/DA				
	ER8 ST / HP	ER11 ST / HP	ER16 ST / HP	ER20 ST / HP	ER25 ST / HP	ER32 ST / HP	ER40 ST / HP	ER50 ST / HP	EO16B ST	EO20B ST	EO25B ST	EO32B ST	EO40B ST	DA300 ST	DA200 ST	DA100 ST	DA180 ST	DA400 ST
1,0 ÷ 0,5	●/●	●/●	●/●	●/●	●/●	●/●								●	●	●		
1,5 ÷ 1,0	●/●	●/●	●/●	●/●	●/●	●/●								●	●	●		
2,0 ÷ 1,5	●/●	●/●	●/●	●/●	●/●	●/●								●	●	●		
2,5 ÷ 2,0	●/●	●/●	●/●	●/●	●/●	●/●			○					●	●	●	○	
3,0 ÷ 2,5	●/●	●/●	●/●	●/●	●/●	●/●	●/●		●	●	●	●		●	●	●	●	
3,5 ÷ 3,0	●/●	●/●	●/●	●/●	●/●	●/●			○					●	●	●	○	
4,0 ÷ 3,5	●/●	●/●	●/●	●/●	●/●	●/●	●/●		●	●	●	●		●	●	●	●	
4,5 ÷ 4,0	●/●	●/●	●/●	●/●	●/●	●/●	●/●		○					●	●	●	○	
5,0 ÷ 4,5	●/●	●/●	●/●	●/●	●/●	●/●	●/●		●	●	●	●		●	●	●	●	
5,5 ÷ 5,0		●/●	●/●	○/○	○/○	○/○			○					●	●	●	○	
6,0 ÷ 5,5		●/●	●/●	●/●	●/●	●/●	●/●	●/●	●	●	●	●		●	●	●	●	●
6,5 ÷ 6,0		●/●	●/●	○/○	○/○	○/○			○					●	●	●	○	
7,0 ÷ 6,5		●/●	●/●	●/●	●/●	●/●	●/●		●	●	●	●		●	●	●	●	●
7,5 ÷ 7,0		○/○	●/●	○/○	○/○	○/○			○					●	●	○		
8,0 ÷ 7,5		●/●	●/●	●/●	●/●	●/●	●/●	●/●	●	●	●	●		●	●	●	●	●
8,5 ÷ 8,0			●/●	○/○	○/○	○/○			○					●	●	○		
9,0 ÷ 8,5			●/●	●/●	●/●	●/●	●/●		●	●	●	●		●	●	●	●	●
9,5 ÷ 9,0			●/●	○/○	○/○	○/○			○					●	●	○		
10,0 ÷ 9,5			●/●	●/●	●/●	●/●	●/●	●/●	●	●	●	●	●	●	●	●	●	●
10,5 ÷ 10,0			○/○	○/○	○/○	○/○			○					●	●	○		
11,0 ÷ 10,5			●/●	●/●	●/●	●/●	●/●		●	●	●	●	●	●	●	●	●	●
11,5 ÷ 11,0			○/○	○/○	○/○	○/○			○					●	●	○		
12,0 ÷ 11,5		●/●	●/●	●/●	●/●	●/●	●/●	●/●	●	●	●	●	●	●	●	●	●	●
12,5 ÷ 12,0				○/○	○/○	○/○			○					●	●	○		
13,0 ÷ 12,5				●/●	●/●	●/●	●/●		●	●	●	●	●	●	●	●	●	●
13,5 ÷ 13,0				○/○	○/○	○/○			○					●	●	○		
14,0 ÷ 13,5				●/●	●/●	●/●	●/●	●/●	●	●	●	●	●	●	●	●	●	●
14,5 ÷ 14,0				○/○	○/○	○/○			○					●	●	○		
15,0 ÷ 14,5				●/●	●/●	●/●	●/●		●	●	●	●	●	●	●	●	●	●
15,5 ÷ 15,0				○/○	○/○	○/○			○					●	●	○		
16,0 ÷ 15,5				●/●	●/●	●/●	●/●	●/●	●	●	●	●	●	●	●	●	●	●
16,5 ÷ 16,0				○/○	○/○	○/○								●	●	○		
17,0 ÷ 16,5				●/●	●/●	●/●	●/●		●	●	●	●	●	●	●	●	●	●
17,5 ÷ 17,0				○/○	○/○	○/○								●	●	○		
18,0 ÷ 17,5				●/●	●/●	●/●	●/●	●/●	●	●	●	●	●	●	●	●	●	●
18,5 ÷ 18,0				○/○	○/○	○/○								●	●	○		
19,0 ÷ 18,5				●/●	●/●	●/●	●/●		●	●	●	●	●	●	●	●	●	●
19,5 ÷ 19,0				○/○	○/○	○/○								●	●	○		
20,0 ÷ 19,5				●/●	●/●	●/●	●/●	●/●	●	●	●	●	●	●	●	●	●	●
21,0 ÷ 20,5					●/●	●/●	●/●							●	●	○		
22,0 ÷ 21,5					●/●	●/●	●/●	●/●						●	●	○		
23,0 ÷ 22,5					●/●	●/●	●/●							●	●	○		
24,0 ÷ 23,5					●/●	●/●	●/●	●/●						●	●	○		
25,0 ÷ 24,5					●/●	●/●								●	●	○		
26,0 ÷ 25,5						●/●	●/●							●	●	○		
27,0 ÷ 26,5						●/●	●/●	●/●						●	●	○		
28,0 ÷ 27,5						●/●	●/●	●/●						●	●	○		
29,0 ÷ 28,5						●/●	●/●							●	●	○		
30,0 ÷ 29,5						●/●	●/●	●/●						●	●	○		
31,0 ÷ 30,5						●/●	●/●							●	●	○		
32,0 ÷ 31,5						●/●	●/●	●/●						●	●	○		
34,0 ÷ 33,5							●/●	●/●						●	●	○		
36,0 ÷ 35,5							●/●	●/●	●/●					●	●	○		
38,0 ÷ 37,5							●/●	●/●						●	●	○		
40,0 ÷ 39,5							●/●	●/●						●	●	○		

● - Standard ○ - Na zapytanie / On request ● - Wersja OVERSIZE / OVERSIZE version

Tulejki zaciskowe do opravek narzędziowych / Collets for toolholders

1
2
3
4
5
6
7
8
9
10
11
12
13
14
15

Tulejki zaciskowe ER

ER Collets for tools with cylindrical shank

Spannzangen ER für Werkzeuge mit Zylinderschaft

Цанги ER для инструмента с цилиндрическим хвостовиком



DIN 6499

ER

ST [15µm] / HP [5µm]

Parametry techniczne / Technical parameters - Strona / Page: 64

ER 8 (4004E)	
Kod produktu Order No. Bestell-Nr. Код товара	Zakres mocowania Clamping range (mm)
ER8.xx*.R0100	1,0 ÷ 0,5
ER8.xx.R0150	1,5 ÷ 1,0
ER8.xx.R0200	2,0 ÷ 1,5
ER8.xx.R0250	2,5 ÷ 2,0
ER8.xx.R0300	3,0 ÷ 2,5
ER8.xx.R0350	3,5 ÷ 3,0
ER8.xx.R0400	4,0 ÷ 3,5
ER8.xx.R0450	4,5 ÷ 4,0
ER8.xx.R0500	5,0 ÷ 4,5

ER 11 (4008E)	
Kod produktu Order No. Bestell-Nr. Код товара	Zakres mocowania Clamping range (mm)
ER11.xx*.R0100	1,0 ÷ 0,5
ER11.xx.R0150	1,5 ÷ 1,0
ER11.xx.R0200	2,0 ÷ 1,5
ER11.xx.R0250	2,5 ÷ 2,0
ER11.xx.R0300	3,0 ÷ 2,5
ER11.xx.R0350	3,5 ÷ 3,0
ER11.xx.R0400	4,0 ÷ 3,5
ER11.xx.R0450	4,5 ÷ 4,0
ER11.xx.R0500	5,0 ÷ 4,5
ER11.xx.R0550	5,5 ÷ 5,0
ER11.xx.R0600	6,0 ÷ 5,5
ER11.xx.R0650	6,5 ÷ 6,0
ER11.xx.R0700	7,0 ÷ 6,5
ER11.xx.OS.R0800	8,0 ÷ 7,8

OVERSIZE

ER 16 (426E)	
Kod produktu Order No. Bestell-Nr. Код товара	Zakres mocowania Clamping range (mm)
ER16.xx*.R0100	1,0 ÷ 0,5
ER16.xx.R0150	1,5 ÷ 1,0
ER16.xx.R0200	2,0 ÷ 1,5
ER16.xx.R0250	2,5 ÷ 2,0
ER16.xx.R0300	3,0 ÷ 2,5
ER16.xx.R0350	3,5 ÷ 2,5
ER16.xx.R0400	4,0 ÷ 3,0
ER16.xx.R0450	4,5 ÷ 3,5
ER16.xx.R0500	5,0 ÷ 4,0
ER16.xx.R0550	5,5 ÷ 4,5
ER16.xx.R0600	6,0 ÷ 5,0
ER16.xx.R0650	6,5 ÷ 5,5
ER16.xx.R0700	7,0 ÷ 6,0
ER16.xx.R0750	7,5 ÷ 6,5
ER16.xx.R0800	8,0 ÷ 7,0
ER16.xx.R0850	8,5 ÷ 7,5
ER16.xx.R0900	9,0 ÷ 8,0
ER16.xx.R0950	9,5 ÷ 8,5
ER16.xx.R1000	10,0 ÷ 9,0
ER16.xx.OS.R1100	11,0 ÷ 10,8
ER16.xx.OS.R1200	12,0 ÷ 11,8

OVERSIZE

ER 20 (428E)	
Kod produktu Order No. Bestell-Nr. Код товара	Zakres mocowania Clamping range (mm)
ER20.xx*.R0100	1,0 ÷ 0,5
ER20.xx.R0150	1,5 ÷ 1,0
ER20.xx.R0200	2,0 ÷ 1,5
ER20.xx.R0250	2,5 ÷ 2,0
ER20.xx.R0300	3,0 ÷ 2,5
ER20.xx.R0350	3,5 ÷ 2,5
ER20.xx.R0400	4,0 ÷ 3,0
ER20.xx.R0450	4,5 ÷ 3,5
ER20.xx.R0500	5,0 ÷ 4,0
ER20.xx.R0600	6,0 ÷ 5,0
ER20.xx.R0700	7,0 ÷ 6,0
ER20.xx.R0800	8,0 ÷ 7,0
ER20.xx.R0900	9,0 ÷ 8,0
ER20.xx.R1000	10,0 ÷ 9,0
ER20.xx.R1100	11,0 ÷ 10,0
ER20.xx.R1200	12,0 ÷ 11,0
ER20.xx.R1300	13,0 ÷ 12,0
ER20.xx.OS.R1400	14,0 ÷ 13,8
ER20.xx.OS.R1500	15,0 ÷ 14,8
ER20.xx.OS.R1600	16,0 ÷ 15,8

OVERSIZE



STANDART



OVERSIZE

* - xx - ST - Standard lub HP - Wysokiej precyzji
xx - ST - Standard or HP - High precision

Tulejki zaciskowe ER

ER Collets for tools with cylindrical shank

Spannzangen ER für Werkzeuge mit Zylinderschaft

Цанги ER для инструмента с цилиндрическим хвостовиком



DIN 6499

ER

ST [15µm] / HP [5µm]

Parametry techniczne / Technical parameters - Strona / Page: 64

ER 25 (430E)	
Kod produktu Order No. Bestell-Nr. Код товара	Zakres mocowania Clamping range (mm)
ER25.xx*.R0100	1,0 ÷ 0,5
ER25.xx.R0150	1,5 ÷ 1,0
ER25.xx.R0200	2,0 ÷ 1,5
ER25.xx.R0250	2,5 ÷ 2,0
ER25.xx.R0300	3,0 ÷ 2,5
ER25.xx.R0350	3,5 ÷ 2,5
ER25.xx.R0400	4,0 ÷ 3,0
ER25.xx.R0450	4,5 ÷ 3,5
ER25.xx.R0500	5,0 ÷ 4,0
ER25.xx.R0600	6,0 ÷ 5,0
ER25.xx.R0700	7,0 ÷ 6,0
ER25.xx.R0800	8,0 ÷ 7,0
ER25.xx.R0900	9,0 ÷ 8,0
ER25.xx.R1000	10,0 ÷ 9,0
ER25.xx.R1100	11,0 ÷ 10,0
ER25.xx.R1200	12,0 ÷ 11,0
ER25.xx.R1300	13,0 ÷ 12,0
ER25.xx.R1400	14,0 ÷ 13,0
ER25.xx.R1500	15,0 ÷ 14,0
ER25.xx.R1600	16,0 ÷ 15,0
ER25.xx.OS.R1700	17,0 ÷ 16,8
ER25.xx.OS.R1800	18,0 ÷ 17,8
ER25.xx.OS.R1900	19,0 ÷ 18,8
ER25.xx.OS.R2000	20,0 ÷ 19,8

OVERSIZE

ER 32 (470E)	
Kod produktu Order No. Bestell-Nr. Код товара	Zakres mocowania Clamping range (mm)
ER32.xx*.R0100	1,0 ÷ 0,5
ER32.xx.R0150	1,5 ÷ 1,0
ER32.xx.R0200	2,0 ÷ 1,5
ER32.xx.R0250	2,5 ÷ 2,0
ER32.xx.R0300	3,0 ÷ 2,5
ER32.xx.R0350	3,5 ÷ 2,5
ER32.xx.R0400	4,0 ÷ 3,0
ER32.xx.R0450	4,5 ÷ 3,5
ER32.xx.R0500	5,0 ÷ 4,0
ER32.xx.R0600	6,0 ÷ 5,0
ER32.xx.R0700	7,0 ÷ 6,0
ER32.xx.R0800	8,0 ÷ 7,0
ER32.xx.R0900	9,0 ÷ 8,0
ER32.xx.R1000	10,0 ÷ 9,0
ER32.xx.R1100	11,0 ÷ 10,0
ER32.xx.R1200	12,0 ÷ 11,0
ER32.xx.R1300	13,0 ÷ 12,0
ER32.xx.R1400	14,0 ÷ 13,0
ER32.xx.R1500	15,0 ÷ 14,0
ER32.xx.R1600	16,0 ÷ 15,0
ER32.xx.R1700	17,0 ÷ 16,0
ER32.xx.R1800	18,0 ÷ 17,0
ER32.xx.R1900	19,0 ÷ 18,0
ER32.xx.R2000	20,0 ÷ 19,0

OVERSIZE

ER32.xx.OS.R2100	21,0 ÷ 20,8
ER32.xx.OS.R2200	22,0 ÷ 21,8
ER32.xx.OS.R2300	23,0 ÷ 22,8
ER32.xx.OS.R2400	24,0 ÷ 23,8
ER32.xx.OS.R2500	25,0 ÷ 24,8
ER32.xx.OS.R2600	26,0 ÷ 25,8

OVERSIZE

ER 40 (472E)	
Kod produktu Order No. Bestell-Nr. Код товара	Zakres mocowania Clamping range (mm)
ER40.xx*.R0300	3,0 ÷ 2,5
ER40.xx.R0400	4,0 ÷ 3,0
ER40.xx.R0500	5,0 ÷ 4,0
ER40.xx.R0600	6,0 ÷ 5,0
ER40.xx.R0700	7,0 ÷ 6,0
ER40.xx.R0800	8,0 ÷ 7,0
ER40.xx.R0900	9,0 ÷ 8,0
ER40.xx.R1000	10,0 ÷ 9,0
ER40.xx.R1100	11,0 ÷ 10,0
ER40.xx.R1200	12,0 ÷ 11,0
ER40.xx.R1300	13,0 ÷ 12,0
ER40.xx.R1400	14,0 ÷ 13,0
ER40.xx.R1500	15,0 ÷ 14,0
ER40.xx.R1600	16,0 ÷ 15,0
ER40.xx.R1700	17,0 ÷ 16,0
ER40.xx.R1800	18,0 ÷ 17,0
ER40.xx.R1900	19,0 ÷ 18,0
ER40.xx.R2000	20,0 ÷ 19,0
ER40.xx.R2100	21,0 ÷ 20,0
ER40.xx.R2200	22,0 ÷ 21,0
ER40.xx.R2300	23,0 ÷ 22,0
ER40.xx.R2400	24,0 ÷ 23,0
ER40.xx.R2500	25,0 ÷ 24,0
ER40.xx.R2600	26,0 ÷ 25,0
ER40.xx.OS.R2700	27,0 ÷ 26,8
ER40.xx.OS.R2800	28,0 ÷ 27,8
ER40.xx.OS.R2900	29,0 ÷ 28,8
ER40.xx.OS.R3000	30,0 ÷ 29,8
ER40.xx.OS.R3100	31,0 ÷ 30,8
ER40.xx.OS.R3200	32,0 ÷ 31,8

OVERSIZE

ER 50 (477E)	
Kod produktu Order No. Bestell-Nr. Код товара	Zakres mocowania Clamping range (mm)
ER50.xx*.R0600	6,0 ÷ 5,0
ER50.xx.R0800	8,0 ÷ 7,0
ER50.xx.R1000	10,0 ÷ 9,0
ER50.xx.R1200	12,0 ÷ 11,0
ER50.xx.R1400	14,0 ÷ 12,0
ER50.xx.R1600	16,0 ÷ 14,0
ER50.xx.R1800	18,0 ÷ 16,0
ER50.xx.R2000	20,0 ÷ 18,0
ER50.xx.R2200	22,0 ÷ 20,0
ER50.xx.R2400	24,0 ÷ 22,0
ER50.xx.R2600	26,0 ÷ 24,0
ER50.xx.R2800	28,0 ÷ 25,0
ER50.xx.R3000	30,0 ÷ 28,0
ER50.xx.R3200	32,0 ÷ 30,0
ER50.xx.R3400	34,0 ÷ 32,0
ER50.xx.OS.R3600	36,0 ÷ 35,8
ER50.xx.OS.R3800	38,0 ÷ 37,8
ER50.xx.OS.R4000	40,0 ÷ 39,8

* - xx - ST - Standard lub HP - Wysokiej precyzji
xx - ST - Standard or HP - High precision

Komplety tulejek ER

ER Collets set

Spannzangen ER Set

Наборы цанг ER

DIN 6499

ER SET

ST [15µm] / HP [5µm]

Parametry techniczne / Technical parameters - Strona / Page: 64



ER8 SET

Kod produktu Order No. Bestell-Nr. Код товара	Tulejka zaciskowa Clamping collet	Ilość Quantity (szt/pcs)	Średnice w zestawie Diameters in the set (mm)
ER8SET.xx*.9	ER8	9	1; 1,5; 2; 2,5; 3; 3,5; 4; 4,5; 5



ER11 SET

Kod produktu Order No. Bestell-Nr. Код товара	Tulejka zaciskowa Clamping collet	Ilość Quantity (szt/pcs)	Średnice w zestawie Diameters in the set (mm)
ER11SET.xx.13	ER11	13	1; 1,5; 2; 2,5; 3; 3,5; 4; 4,5; 5; 5,5; 6; 6,5; 7



ER16 SET

Kod produktu Order No. Bestell-Nr. Код товара	Tulejka zaciskowa Clamping collet	Ilość Quantity (szt/pcs)	Średnice w zestawie Diameters in the set (mm)
ER16SET.xx.10	ER16	10	1; 2; 3; 4; 5; 6; 7; 8; 9; 10



ER20 SET

Kod produktu Order No. Bestell-Nr. Код товара	Tulejka zaciskowa Clamping collet	Ilość Quantity (szt/pcs)	Średnice w zestawie Diameters in the set (mm)
ER20SET.xx.12	ER20	12	2; 3; 4; 5; 6; 7; 8; 9; 10; 11; 12; 13

* - xx - ST - Standard lub HP - Wysokiej precyzji
xx - ST - Standard or HP - High precision

Komplety tulejek ER

ER Collets set

Spannzangen ER Set

Наборы цанг ER

DIN 6499

ER SET

ST [15µm] / HP [5µm]

Parametry techniczne / Technical parameters - [Strona](#) / Page: 64



ER25 SET

Kod produktu Order No. Bestell-Nr. Код товара	Tulejka zaciskowa Clamping collet	Ilość Quantity (szt/pcs)	Średnice w zestawie Diameters in the set (mm)
ER25SET.xx.15	ER25	15	2; 3; 4; 5; 6; 7; 8; 9; 10; 11; 12; 13; 14; 15; 16



ER32 SET

Kod produktu Order No. Bestell-Nr. Код товара	Tulejka zaciskowa Clamping collet	Ilość Quantity (szt/pcs)	Średnice w zestawie Diameters in the set (mm)
ER32SET.xx.18	ER32	18	3; 4; 5; 6; 7; 8; 9; 10; 11; 12; 13; 14; 15; 16; 17; 18; 19; 20



ER40 SET

Kod produktu Order No. Bestell-Nr. Код товара	Tulejka zaciskowa Clamping collet	Ilość Quantity (szt/pcs)	Średnice w zestawie Diameters in the set (mm)
ER40SET.xx.23	ER40	23	3; 4; 5; 6; 7; 8; 9; 10; 11; 12; 13; 14; 15; 16; 17; 18; 19; 20; 21; 22; 23; 24; 25; 26

ER50 SET

Kod produktu Order No. Bestell-Nr. Код товара	Tulejka zaciskowa Clamping collet	Ilość Quantity (szt/pcs)	Średnice w zestawie Diameters in the set (mm)
ER50SET.xx.12	ER50	12	12; 14; 16; 18; 20; 22; 24; 26; 28; 30; 32; 34

* - xx - ST - Standard lub HP - Wysokiej precyzji
xx - ST - Standard or HP - High precision