

**Oprawka do narzędzi z chwytem walcowym z wew. doprowadzaniem chłodzenia**

Holder for indexable insert drills with internal coolant supply

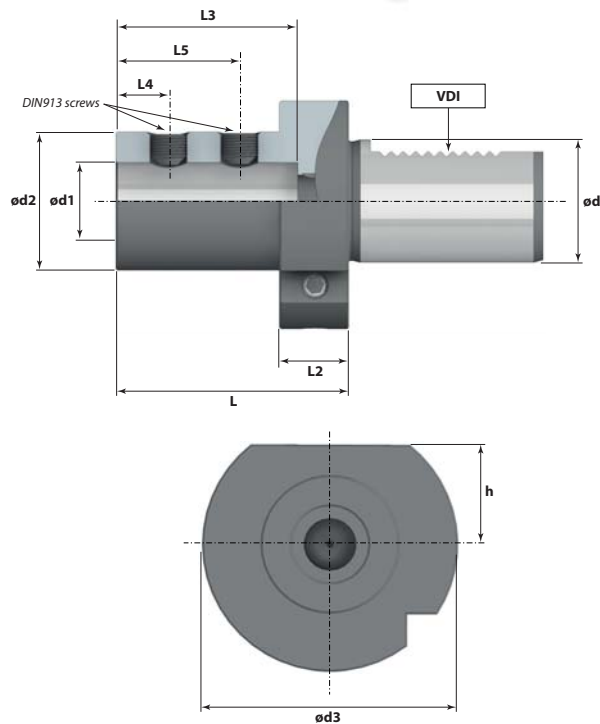
Werkzeughalter Rundaufnahme f. Wendepplattenbohrer mit int. Kühlung

Державки для инструментов с цилиндрическим хвостовиком с внутренним подводом СОЖ



**Form E1**

Kod produktu Order No. Bestell-Nr. Код товара	ø d (mm)	ø d1 (mm)	ø d2 (mm)	ø d3 (mm)	L (mm)	L2 (mm)	L3 (mm)	L4 (mm)	L5 (mm)	h (mm)
VDI.E1.20.10	20	10	35	50	54	18	54	15	35	-
VDI.E1.20.12	20	12	35	50	59	18	54	15	35	-
VDI.E1.20.14	20	14	35	50	59	18	54	15	35	-
VDI.E1.20.16	20	16	36	50	67	18	54	15	35	-
VDI.E1.20.20	20	20	40	50	67	18	54	15	35	-
VDI.E1.20.25	20	25	45	50	71	18	59	17	40	-
VDI.E1.25.20	25	20	40	58	67	22	54	15	35	-
VDI.E1.25.25	25	25	45	58	71	22	59	17	40	-
VDI.E1.25.32	25	32	52	58	85	22	63	17	44	-
VDI.E1.30.10	30	10	35	68	54	22	54	15	35	28
VDI.E1.30.12	30	12	35	68	59	22	54	15	35	28
VDI.E1.30.14	30	14	35	68	59	22	54	15	35	28
VDI.E1.30.16	30	16	36	68	67	22	54	15	35	28
VDI.E1.30.20	30	20	40	68	67	22	54	15	35	28
VDI.E1.30.25	30	25	45	68	71	22	59	17	40	28
VDI.E1.30.32	30	32	52	68	75	22	63	17	44	28
VDI.E1.30.40	30	40	60	68	90	22	73	22	50	28
VDI.E1.40.10	40	10	35	83	67	22	41	20	35	32.5
VDI.E1.40.12	40	12	35	83	59	22	54	15	35	32.5
VDI.E1.40.14	40	14	35	83	59	22	54	15	35	32.5
VDI.E1.40.16	40	16	36	83	67	22	54	15	35	32.5
VDI.E1.40.18	40	18	40	83	67	22	54	15	35	32.5
VDI.E1.40.20	40	20	40	83	67	22	54	15	35	32.5
VDI.E1.40.25	40	25	45	83	75	22	59	17	40	32.5
VDI.E1.40.32	40	32	52	83	75	22	63	17	44	32.5
VDI.E1.40.40	40	40	60	83	90	22	73	22	50	32.5
VDI.E1.40.50	40	50	70	83	-	22	83	24	60	32.5
VDI.E1.50.10	50	10	35	98	-	30	54	15	35	35
VDI.E1.50.12	50	12	35	98	145	30	54	15	35	35
VDI.E1.50.16	50	16	36	98	145	30	54	15	35	35
VDI.E1.50.20	50	20	40	98	67	30	54	15	35	35
VDI.E1.50.25	50	25	45	98	80	30	59	17	40	35
VDI.E1.50.32	50	32	52	98	80	30	63	17	44	35
VDI.E1.50.40	50	40	60	98	90	30	73	22	50	35
VDI.E1.50.50	50	50	70	98	100	30	82	24	60	35



**Produkty powiązane / Related Products**



Page: 90 - 92