

Nowość / New

Oprawki zaciskowe Weldon DIN1835-B z chłodzeniem od czoła

End mill holders Weldon with coolant channels

Schafffräserhalter Weldon mit Kühlmittelkanälen

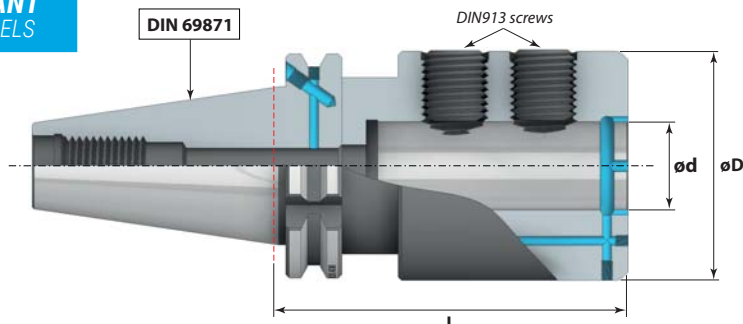
Цанговые патроны для инструмента с цилиндрическим хвостовиком

Weldon'a DIN1835-B с СОЖ



WELDON
DIN1835-B

COOLANT
CHANNELS



DIN 69871 (DIN)

MAS 403-BT (BT)

Kod produktu Order No. / Bestell-Nr. / Код товара		Stożek Holder (7:24)	ø d (mm)	L DIN / BT (mm)	ø D (mm)
DIN40.WE06CC.L65	DIN40.WE06CC.L65	40	6	65	25
DIN40.WE08CC.L65	DIN40.WE08CC.L65	40	8	65	28
DIN40.WE10CC.L65	DIN40.WE10CC.L65	40	10	65	35
DIN40.WE12CC.L65	DIN40.WE12CC.L65	40	12	65	42
DIN40.WE14CC.L65	DIN40.WE14CC.L65	40	14	65	44
DIN40.WE16CC.L65	DIN40.WE16CC.L65	40	16	65	48
DIN40.WE18CC.L65	DIN40.WE18CC.L65	40	18	65	50
DIN40.WE20CC.L65	DIN40.WE20CC.L65	40	20	65	52
DIN40.WE25CC.L100	DIN40.WE25CC.L100	40	25	100	65
DIN40.WE32CC.L100	DIN40.WE32CC.L100	40	32	100	72
DIN50.WE06CC.L63	DIN50.WE06CC.L80	50	6	63/80	25
DIN50.WE08CC.L63	DIN50.WE08CC.L80	50	8	63/80	28
DIN50.WE10CC.L63	DIN50.WE10CC.L80	50	10	63/80	35
DIN50.WE12CC.L63	DIN50.WE12CC.L80	50	12	63/80	42
DIN50.WE14CC.L63	DIN50.WE14CC.L80	50	14	63/80	44
DIN50.WE16CC.L63	DIN50.WE16CC.L80	50	16	63/80	48
DIN50.WE18CC.L63	DIN50.WE18CC.L80	50	18	63/80	50
DIN50.WE20CC.L63	DIN50.WE20CC.L80	50	20	63/80	52
DIN50.WE25CC.L100	DIN50.WE25CC.L100	50	25	100	65
DIN50.WE32CC.L100	DIN50.WE32CC.L105	50	32	100/105	72
DIN50.WE40CC.L100	DIN50.WE40CC.L120	50	40	100/120	90

G6,3
15 000 r.p.m.
STANDARD
AD+B

WELDON 6 ÷ 20:



WELDON 25 ÷ 50:



Produkty powiązane / Related Products

