

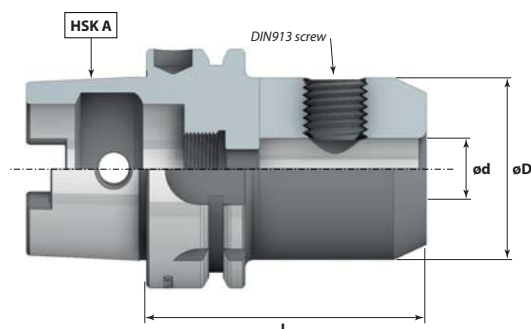
Oprawki zaciskowe typu Weldon DIN1835-B

End mill holder DIN6359 for Weldon type end mills DIN1835-B

Fräseraufnahmen DIN6359 für Zylinderschäfte DIN1835-B

Цанговые патроны для инструмента с цилиндрическим хвостовиком Weldon'a DIN1835-B

WELDON
DIN1835-B



DIN 69893 (HSK A/C)

DIN 69893 (HSK F)

Kod produktu Order No. / Bestell-Nr. / Код товара		Stożek Holder (HSK)	ø d (mm)	ø D (mm)	L (mm)
HSK63A.WE6.L65	HSK63F.WE6.L65	63	6	25	65
HSK63A.WE6.L100	HSK63F.WE6.L100	63	6	25	100
HSK63A.WE6.L160	HSK63F.WE6.L160	63	6	25	160
HSK63A.WE8.L65	HSK63F.WE8.L65	63	8	28	65
HSK63A.WE8.L100	HSK63F.WE8.L100	63	8	28	100
HSK63A.WE8.L160	HSK63F.WE8.L160	63	8	28	160
HSK63A.WE10.L65	HSK63F.WE10.L65	63	10	35	65
HSK63A.WE10.L100	HSK63F.WE10.L100	63	10	35	100
HSK63A.WE10.L160	HSK63F.WE10.L160	63	10	35	160
HSK63A.WE12.L80	HSK63F.WE12.L80	63	12	42	80
HSK63A.WE12.L100	HSK63F.WE12.L100	63	12	42	100
HSK63A.WE12.L160	HSK63F.WE12.L160	63	12	42	160
HSK63A.WE14.L80	HSK63F.WE14.L80	63	14	44	80
HSK63A.WE14.L100	HSK63F.WE14.L100	63	14	44	100
HSK63A.WE14.L160	HSK63F.WE14.L160	63	14	44	160
HSK63A.WE16.L80	HSK63F.WE16.L80	63	16	48	80
HSK63A.WE16.L100	HSK63F.WE16.L100	63	16	48	100
HSK63A.WE16.L160	HSK63F.WE16.L160	63	16	48	160
HSK63A.WE18.L80	HSK63F.WE18.L80	63	18	50	80
HSK63A.WE18.L100	HSK63F.WE18.L100	63	18	50	100
HSK63A.WE18.L160	HSK63F.WE18.L160	63	18	50	160
HSK63A.WE20.L80	HSK63F.WE20.L80	63	20	52	80
HSK63A.WE20.L100	HSK63F.WE20.L100	63	20	52	100
HSK63A.WE20.L160	HSK63F.WE20.L160	63	20	52	160
HSK63A.WE25.L110	HSK63F.WE25.L110	63	25	65	110
HSK63A.WE25.L160	HSK63F.WE25.L160	63	25	65	160
HSK63A.WE32.L110	HSK63F.WE32.L110	63	32	72	110
HSK63A.WE32.L160	HSK63F.WE32.L160	63	32	72	160
HSK63A.WE40.L125		63	40	80	125
HSK63A.WE40.L160	HSK63F.WE40.L160	63	40	80	160

G6,3

15 000 r.p.m.
STANDARD

G2,5

25 000 r.p.m.
OPTION

WELDON 6 ÷ 20:



WELDON 25 ÷ 50:



Produkty powiązane / Related Products



Uchwyty narzędziowe wymienione w tabeli są standardem. Wykonujemy również uchwyty w wersji specjalnej wg ustaleń Klienta.
Toolholders in the table are the standard. We also make toolholders in the special version according to the customer settlements.