

Trzpienie frezarskie uniwersalne do frezów typu Kombi

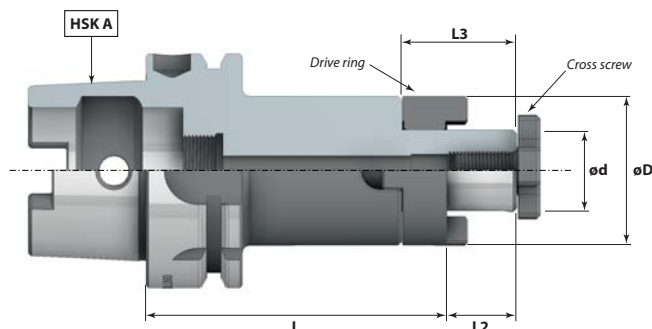
Combination shell mill adaptors DIN 6358

Kombi-Fräseraufsteckdorne DIN 6358

Оправки для насадных торцовых фрез типа Kombi



DIN6358
KOMBIDORN



DIN 69893 (HSK A/C)

DIN 69893 (HSK F)

Kod produktu Order No. / Bestell-Nr. / Код товара		Stożek Holder (HSK)	ø d (mm)	ø D (mm)	L (mm)	L2 (mm)	L3 (mm)
HSK63A.d16z.L60	HSK63F.d16z.L60	63	16	32	60	17	27
HSK63A.d16z.L100		63	16	32	100	17	27
HSK63A.d16z.L160	HSK63F.d16z.L160	63	16	32	160	17	27
HSK63A.d22z.L60	HSK63F.d22z.L60	63	22	40	60	19	31
HSK63A.d22z.L100		63	22	40	100	19	31
HSK63A.d22z.L160	HSK63F.d22z.L160	63	22	40	160	19	31
HSK63A.d27z.L60	HSK63F.d27z.L60	63	27	48	60	21	33
HSK63A.d27z.L100		63	27	48	100	21	33
HSK63A.d27z.L160	HSK63F.d27z.L160	63	27	48	160	21	33
HSK63A.d32z.L60	HSK63F.d32z.L60	63	32	58	60	24	38
HSK63A.d32z.L100		63	32	58	100	24	38
HSK63A.d32z.L160	HSK63F.d32z.L160	63	32	58	160	24	38
HSK63A.d40z.L70	HSK63F.d40z.L70	63	40	70	70	27	41
HSK63A.d40z.L100		63	40	70	100	27	41
HSK63A.d40z.L160	HSK63F.d40z.L160	63	40	70	160	27	41
HSK100A.d16z.L60		100	16	32	60	17	27
HSK100A.d16z.L100		100	16	32	100	17	27
HSK100A.d16z.L160		100	16	32	160	17	27
HSK100A.d22z.L60		100	22	40	60	19	31
HSK100A.d22z.L100		100	22	40	100	19	31
HSK100A.d22z.L160		100	22	40	160	19	31
HSK100A.d27z.L60		100	27	48	60	21	33
HSK100A.d27z.L100		100	27	48	100	21	33
HSK100A.d27z.L160		100	27	48	160	21	33
HSK100A.d32z.L60		100	32	58	60	24	38
HSK100A.d32z.L100		100	32	58	100	24	38
HSK100A.d32z.L160		100	32	58	160	24	38
HSK100A.d40z.L70		100	40	70	70	27	41
HSK100A.d40z.L100		100	40	70	100	27	41
HSK100A.d40z.L160		100	40	70	160	27	41

G6,3
15 000 r.p.m.
STANDARD

Produkty powiązane / Related Products



Uchwyty narzędziowe wymienione w tabeli są standardem. Wykonujemy również uchwyty w wersji specjalnej wg ustaleń Klienta.
Toolholders in the table are the standard. We also make toolholders in the special version according to the customer settlements.