

UCHWYTY CYLINDRYCZNE / CYLINDRICAL CHUCKS

Nowość / New

Oprawki zaciskowe do tulejek ER standard

Cylindrical collet chucks with standard nut

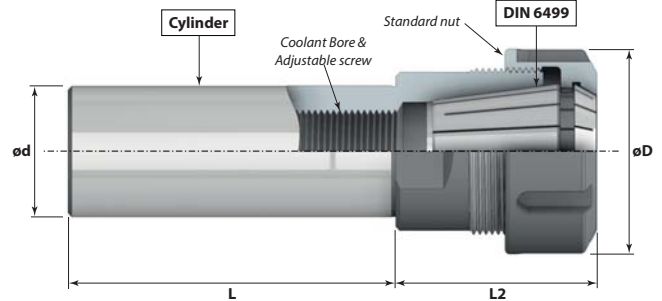
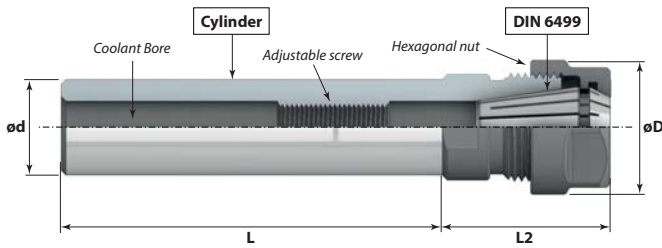
Spannfutter mit zylinderschaft mit standard spannmutter

Цанговые патроны с цилиндрическим хвостовиком со стандартной гайкой



ER

DIN6499



ER16 (1 ÷ 12) - Nut: M22 x 1,5

Kod produktu Order No. Bestell-Nr. Код товара	ø d (mm)	ø D (mm)	L (mm)	L2 (mm)	Otwór przelot. Coolant Bore
FI16.ER16.L60	16	28	60	31	✓
FI16.ER16.L80	16	28	80	31	✓
FI16.ER16.L100	16	28	100	31	✓
FI16.ER16.L130	16	28	130	31	✓
FI16.ER16.L160	16	28	160	31	✓
FI20.ER16.L60	20	28	60	31	✓
FI20.ER16.L80	20	28	80	31	✓
FI20.ER16.L100	20	28	100	31	✓
FI20.ER16.L130	20	28	130	31	✓
FI20.ER16.L160	20	28	160	31	✓

Nakrętka sześciokątna / Hexagonal nut

Pod DIN1835 / For DIN1836 Flats

FI20.ER16.L50WE	20	28	50	31	✓
-----------------	----	----	----	----	---

Nakrętka sześciokątna / Hexagonal nut

ER20 (1 ÷ 16) - Nut: M25 x 1,5

Kod produktu Order No. Bestell-Nr. Код товара	ø d (mm)	ø D (mm)	L (mm)	L2 (mm)	Otwór przelot. Coolant Bore
FI20.ER20.L60	20	34	60	36,5	✓
FI20.ER20.L80	20	34	80	36,5	✓
FI20.ER20.L100	20	34	100	36,5	✓
FI20.ER20.L130	20	34	130	36,5	✓
FI20.ER20.L160	20	34	160	36,5	✓
FI25.ER20.L60	25	34	60	44,5	✓
FI25.ER20.L80	25	34	80	44,5	✓
FI25.ER20.L100	25	34	100	44,5	✓
FI25.ER20.L130	25	34	130	44,5	✓
FI25.ER20.L160	25	34	160	44,5	✓

Nakrętka sześciokątna / Hexagonal nut

ER25 (1 ÷ 20) - Nut: M32 x 1,5

Kod produktu Order No. Bestell-Nr. Код товара	ø d (mm)	ø D (mm)	L (mm)	L2 (mm)	Otwór przelot. Coolant Bore
FI20.ER25.L60	20	42	60	46	✓
FI20.ER25.L80	20	42	80	46	✓
FI20.ER25.L100	20	42	100	46	✓
FI20.ER25.L130	20	42	130	46	✓
FI20.ER25.L160	20	42	160	46	✓
FI25.ER25.L60	25	42	60	40	✓
FI25.ER25.L80	25	42	80	40	✓
FI25.ER25.L100	25	42	100	40	✓
FI25.ER25.L130	25	42	130	40	✓
FI25.ER25.L160	25	42	160	40	✓
FI32.ER25.L60	32	42	60	44	✓
FI32.ER25.L80	32	42	80	44	✓
FI32.ER25.L100	32	42	100	44	✓
FI32.ER25.L130	32	42	130	44	✓
FI32.ER25.L160	32	42	160	44	✓
FI40.ER25.L60	40	42	60	49	✓
FI40.ER25.L80	40	42	80	49	✓
FI40.ER25.L100	40	42	100	49	✓
FI40.ER25.L130	40	42	130	49	✓
FI40.ER25.L160	40	42	160	49	✓

Nakrętka standard / Standard nut

Z płaskiem / With Flat:

FI20.ER25.L80FL	20	42	80	46	✓
FI25.ER25.L80FL	25	42	80	40	✓
FI32.ER25.L80FL	32	42	80	44	✓
FI40.ER25.L80FL	40	42	80	49	✓

Nakrętka standard / Standard nut

Pod DIN1835 / For DIN1836 Flats

FI20.ER25.L50WE	20	42	50	46	✓
FL25.ER25.L56WE	25	42	56	40	✓

Nakrętka standard / Standard nut

Komplety / Sets

Kod produktu Order No. Bestell-Nr. Код товара	Oprawka Chuck	Tulejki Collets	Szt. Pcs	Klucz Wrench	Otwór przelot. Coolant Bore
FI20.SET.ER25.L80	FI20.ER25.L80	ER25 - 2 ÷ 16 x 1mm	15	WRENCH.ER25Y	✓
FI25.SET.ER25.L80	FI25.ER25.L80	ER25 - 2 ÷ 16 x 1mm	15	WRENCH.ER25Y	✓
FI32.SET.ER25.L80	FI32.ER25.L80	ER25 - 2 ÷ 16 x 1mm	15	WRENCH.ER25Y	✓
FI40.SET.ER25.L80	FI40.ER25.L80	ER25 - 2 ÷ 16 x 1mm	15	WRENCH.ER25Y	✓
FI20.SET.ER32.L80	FI20.ER32.L80	ER32 - 3 ÷ 20 x 1mm	18	WRENCH.ER32Y	✓
FI25.SET.ER32.L80	FI25.ER32.L80	ER32 - 3 ÷ 20 x 1mm	18	WRENCH.ER32Y	✓
FI32.SET.ER32.L80	FI32.ER32.L80	ER32 - 3 ÷ 20 x 1mm	18	WRENCH.ER32Y	✓
FI40.SET.ER32.L80	FI40.ER32.L80	ER32 - 3 ÷ 20 x 1mm	18	WRENCH.ER32Y	✓
FI25.SET.ER40.L80	FI25.ER40.L80	ER40 - 4 ÷ 26 x 1mm	23	WRENCH.ER40Y	✓
FI32.SET.ER40.L80	FI32.ER40.L80	ER40 - 4 ÷ 26 x 1mm	23	WRENCH.ER40Y	✓
FI40.SET.ER40.L80	FI40.ER40.L80	ER40 - 4 ÷ 26 x 1mm	23	WRENCH.ER40Y	✓

UCHWYTY CYLINDRYCZNE / CYLINDRICAL CHUCKS

Nowość / New

Oprawki zaciskowe do tulejek ER standard

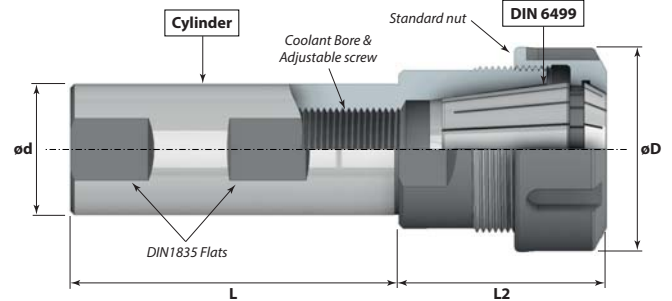
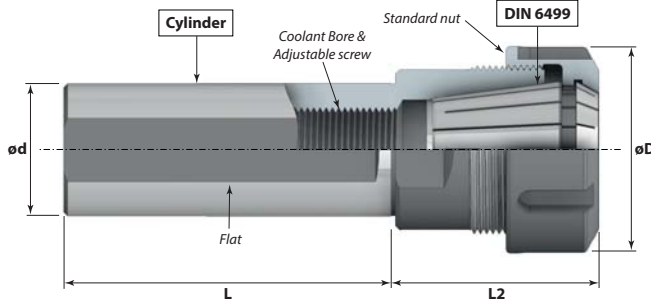
Cylindrical collet chucks with standard nut

Spannfutter mit zylinderschaft mit standard spannmutter

Цанговые патроны с цилиндрическим хвостовиком со стандартной гайкой



ER
DIN6499



ER32 (1 ÷ 25) - Nut: M40 x 1,5

Kod produktu Order No. Bestell-Nr. Код товара	ø d (mm)	ø D (mm)	L (mm)	L2 (mm)	Otwór przelot. Coolant Bore
FI20.ER32.L60	20	50	60	53	✓
FI20.ER32.L80	20	50	80	53	✓
FI20.ER32.L100	20	50	100	53	✓
FI20.ER32.L130	20	50	130	53	✓
FI20.ER32.L160	20	50	160	53	✓
FI25.ER32.L60	25	50	60	53	✓
FI25.ER32.L80	25	50	80	53	✓
FI25.ER32.L100	25	50	100	53	✓
FI25.ER32.L130	25	50	130	53	✓
FI25.ER32.L160	25	50	160	53	✓
FI32.ER32.L60	32	50	60	48	✓
FI32.ER32.L80	32	50	80	48	✓
FI32.ER32.L100	32	50	100	48	✓
FI32.ER32.L130	32	50	130	48	✓
FI32.ER32.L160	32	50	160	48	✓
FI40.ER32.L60	40	50	60	50	✓
FI40.ER32.L80	40	50	80	50	✓
FI40.ER32.L100	40	50	100	50	✓
FI40.ER32.L130	40	50	130	50	✓
FI40.ER32.L160	40	50	160	50	✓

Nakrętka standard / Standard nut

Z płaskiem / With Flat:

FI20.ER32.L80FL	20	50	80	53	✓
FI25.ER32.L80FL	25	50	80	53	✓
FI32.ER32.L80FL	32	50	80	48	✓
FI40.ER32.L80FL	40	50	80	50	✓

Nakrętka standard / Standard nut

Pod DIN1835 / For DIN1836 Flats

FI25.ER32.L56WE	25	50	56	53	✓
FI32.ER32.L60WE	32	50	60	48	✓
FI40.ER32.L74WE	40	50	74	50	✓

Nakrętka standard / Standard nut

ER40 (3 ÷ 32) - Nut: M50 x 1,5

Kod produktu Order No. Bestell-Nr. Код товара	ø d (mm)	ø D (mm)	L (mm)	L2 (mm)	Otwór przelot. Coolant Bore
FI25.ER40.L60	25	63	60	61	✓
FI25.ER40.L80	25	63	80	61	✓
FI25.ER40.L100	25	63	100	61	✓
FI25.ER40.L130	25	63	130	61	✓
FI25.ER40.L160	25	63	160	61	✓
FI32.ER40.L60	32	63	60	61	✓
FI32.ER40.L80	32	63	80	61	✓
FI32.ER40.L100	32	63	100	61	✓
FI32.ER40.L130	32	63	130	61	✓
FI32.ER40.L160	32	63	160	61	✓
FI40.ER40.L60	40	63	60	65	✓
FI40.ER40.L80	40	63	80	65	✓
FI40.ER40.L100	40	63	100	65	✓
FI40.ER40.L130	40	63	130	65	✓
FI40.ER40.L160	40	63	160	65	✓
FI50.ER40.L120	50	63	120	59	✓
FI50.ER40.L160	50	63	160	59	✓

Nakrętka standard / Standard nut

Z płaskiem / With Flat:

FI25.ER40.L80FL	25	63	80	61	✓
FI32.ER40.L80FL	32	63	80	61	✓
FI40.ER40.L80FL	40	63	80	61	✓

Nakrętka standard / Standard nut

Pod DIN1835 / For DIN1836 Flats

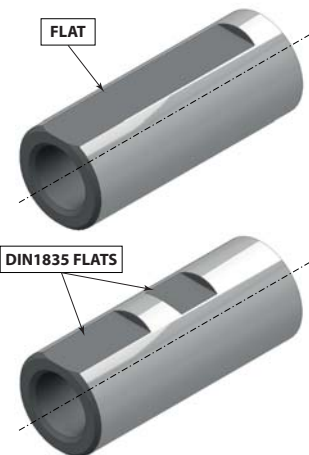
FI32.ER40.L60WE	32	63	60	61	✓
FI40.ER40.L74WE	40	63	74	65	✓
FI50.ER50.L117WE	50	63	117	65	✓

Nakrętka standard / Standard nut

ER50 (6 ÷ 40) - Nut: M64 x 2,0

Kod produktu Order No. Bestell-Nr. Код товара	ø d (mm)	ø D (mm)	L (mm)	L2 (mm)	Otwór przelot. Coolant Bore
FI40.ER50.L160	40	78	160	65	✓
FI50.ER50.L170	50	78	170	65	✓
FI60.ER50.L170	60	78	170	65	✓

Nakrętka standard / Standard nut



Produkty powiązane / Related Products

