

Oprawki zaciskowe typu Weldon DIN1835-B

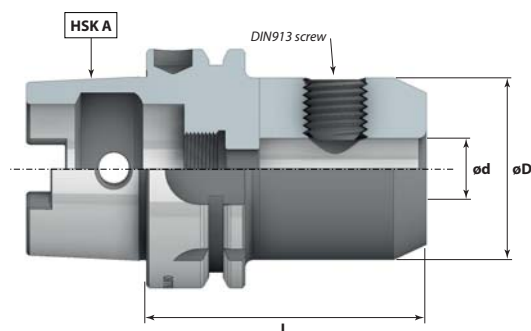
End mill holder DIN6359 for Weldon type end mills DIN1835-B

Fräseraufnahmen DIN6359 für Zylinderschäfte DIN1835-B

Цанговые патроны для инструмента с цилиндрическим хвостовиком Weldon'a DIN1835-B



WELDON
DIN1835-B



DIN 69893 (HSK A/C)

DIN 69893 (HSK F)

Kod produktu Order No. / Bestell-Nr. / Код товара		Stożek Holder (HSK)	ø d (mm)	ø D (mm)	L (mm)
HSK50A.WE06.L65	HSK50F.WE06.L65	50	6	25	65
HSK50A.WE06.L100		50	6	25	100
HSK50A.WE06.L160		50	6	25	160
HSK50A.WE08.L65	HSK50F.WE08.L65	50	8	28	65
HSK50A.WE08.L100		50	8	28	100
HSK50A.WE08.L160		50	8	28	160
HSK50A.WE10.L65	HSK50F.WE10.L65	50	10	35	65
HSK50A.WE10.L100		50	10	35	100
HSK50A.WE10.L160		50	10	35	160
HSK50A.WE12.L80	HSK50F.WE12.L80	50	12	42	80
HSK50A.WE12.L100		50	12	42	100
HSK50A.WE12.L160		50	12	42	160
HSK50A.WE14.L80	HSK50F.WE14.L80	50	14	44	80
HSK50A.WE14.L100		50	14	44	100
HSK50A.WE14.L160		50	14	44	160
HSK50A.WE16.L80	HSK50F.WE16.L80	50	16	48	80
HSK50A.WE16.L100		50	16	48	100
HSK50A.WE16.L160		50	16	48	160
HSK50A.WE18.L80	HSK50F.WE18.L80	50	18	50	80
HSK50A.WE18.L100		50	18	50	100
HSK50A.WE18.L160		50	18	50	160
HSK50A.WE20.L80	HSK50F.WE20.L80	50	20	52	80
HSK50A.WE20.L100		50	20	52	100
HSK50A.WE20.L160		50	20	52	160
HSK50A.WE25.L105	HSK50F.WE25.L105	50	25	65	105
HSK50A.WE25.L160		50	25	65	160
HSK50A.WE32.L120		50	32	72	120

G6,3

15 000 r.p.m.
STANDARD

G2,5

25 000 r.p.m.
OPTION

WELDON 6 ÷ 20:



WELDON 25 ÷ 50:



Produkty powiązane / Related Products



Page: 257



Pages: 266 - 268



Page: 257



Page: 259

Uchwyty narzędziowe wymienione w tabeli są standardem. Wykonujemy również uchwyty w wersji specjalnej wg ustaleń Klienta.
Toolholders in the table are the standard. We also make toolholders in the special version according to the customer settlements.