

Trzpienie frezarskie uniwersalne do frezów typu Kombi

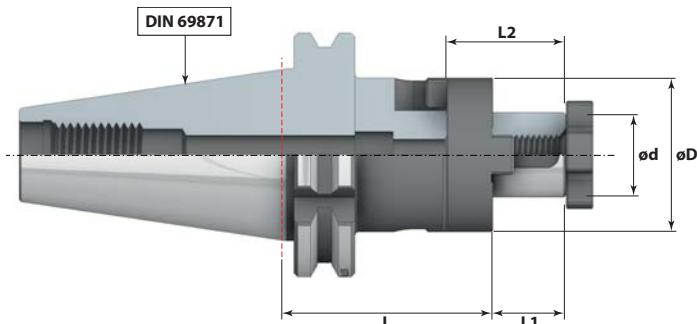
Combination shell mill adaptors DIN 6358

Kombi-Fräseraufsteckdorne DIN 6358

Оправки для насадных торцовых фрез типа Kombi



DIN6358
KOMBIDORN



DIN 69871 (DIN)

MAS 403-BT (BT)

Kod produktu Order No. / Bestell-Nr. / Код товара		Stożek Holder (7-24)	ϕd (mm)	L DIN / BT (mm)	ϕD (mm)	L1 (mm)	L2 (mm)
DIN50.d16z.L55	BT50.d16z.L70	50	16	55/70	32	17	27
DIN50.d16z.L100	BT50.d16z.L100	50	16	100	32	17	27
DIN50.d16z.L160	BT50.d16z.L160	50	16	160	32	17	27
DIN50.d22z.L55	BT50.d22z.L70	50	22	55/70	40	19	31
DIN50.d22z.L100	BT50.d22z.L100	50	22	100	40	19	31
DIN50.d22z.L160	BT50.d22z.L160	50	22	160	40	19	31
DIN50.d27z.L55	BT50.d27z.L70	50	27	55/70	48	21	33
DIN50.d27z.L100	BT50.d27z.L100	50	27	100	48	21	33
DIN50.d27z.L160	BT50.d27z.L160	50	27	160	48	21	33
DIN50.d32z.L55	BT50.d32z.L70	50	32	55/70	58	24	38
DIN50.d32z.L100	BT50.d32z.L100	50	32	100	58	24	38
DIN50.d32z.L160	BT50.d32z.L160	50	32	160	58	24	38
DIN50.d40z.L55	BT50.d40z.L70	50	40	55/70	70	27	41
DIN50.d40z.L100	BT50.d40z.L100	50	40	100	70	27	41
DIN50.d40z.L160	BT50.d40z.L160	50	40	160	70	27	41

G6,3

12 000 r.p.m.
STANDARD

AD

Produkty powiązane / Related Products



Uchwyty narzędziowe wymienione w tabeli są standardem. Wykonujemy również uchwyty w wersji specjalnej wg ustaleń klienta.
Toolholders in the table are the standard. We also make toolholders in the special version according to the customer settlements.