

Nowość / New

Oprawki zaciskowe Weldon DIN1835-B z regulacją

Runout adjustable end mill holders Weldon

Rundlaufverstellbare Schaftfräserhalter Weldon

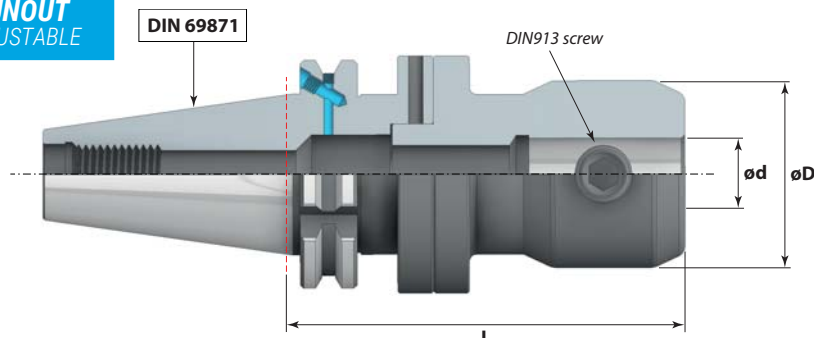
Цанговые патроны для инструмента с цилиндрическим хвостовиком

Weldon'a DIN1835-B с регулицией



WELDON
DIN1835-B

RUNOUT
ADJUSTABLE



DIN 69871 (DIN)

MAS 403-BT (BT)

Kod produktu Order No. / Bestell-Nr. / Код товара		Stożek Holder (7-24)	ø d (mm)	L DIN / BT (mm)	ø D (mm)
DIN40.WE06ADJ.L100	BT40.WE06ADJ.L100	40	6	100	25
DIN40.WE08ADJ.L100	BT40.WE08ADJ.L100	40	8	100	28
DIN40.WE10ADJ.L100	BT40.WE10ADJ.L100	40	10	100	35
DIN40.WE12ADJ.L110	BT40.WE12ADJ.L110	40	12	110	42
DIN40.WE14ADJ.L110	BT40.WE14ADJ.L110	40	14	110	44
DIN40.WE16ADJ.L130	BT40.WE16ADJ.L130	40	16	130	48
DIN40.WE18ADJ.L130	BT40.WE18ADJ.L130	40	18	130	50
DIN40.WE20ADJ.L135	BT40.WE20ADJ.L135	40	20	135	52
DIN50.WE06ADJ.L100	BT50.WE06ADJ.L110	50	6	100/110	25
DIN50.WE08ADJ.L100	BT50.WE08ADJ.L110	50	8	100/110	28
DIN50.WE10ADJ.L100	BT50.WE10ADJ.L110	50	10	100/110	35
DIN50.WE12ADJ.L110	BT50.WE12ADJ.L120	50	12	110/120	42
DIN50.WE14ADJ.L110	BT50.WE14ADJ.L120	50	14	110/120	44
DIN50.WE16ADJ.L130	BT50.WE16ADJ.L140	50	16	130/140	48
DIN50.WE18ADJ.L130	BT50.WE18ADJ.L140	50	18	130/140	50
DIN50.WE20ADJ.L135	BT50.WE20ADJ.L145	50	20	135/145	52

AD+B



ADJUSTABLE RUNOUT TO 0.01mm

Produkty powiązane / Related Products

