

Oprawka do narzędzi z chwytem walcowym - podwójna, prawa

Double boring bar holder, right

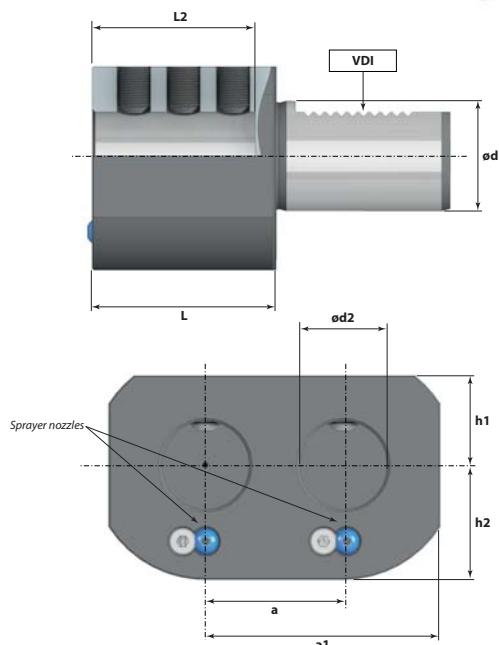
Werkzeughalter mit zwei bohrungen rechts

Двойные держатели для расточных резцов правые



Form E7

| Kod produktu Order No. Bestell-Nr. Код товара | ϕd (mm) | $\phi d2$ (mm) | L (mm) | L2 (mm) | a (mm) | a1 (mm) | h1 (mm) | h2 (mm) |
|--|------------------|-------------------|-----------|------------|-----------|------------|------------|------------|
| VDI.E7.20.16 | 20 | 16 | 45 | 42 | 32 | 51 | 25 | 25 |
| VDI.E7.20.20 | 20 | 20 | 45 | 42 | 32 | 51 | 25 | 25 |
| VDI.E7.30.25 | 30 | 25 | 56 | 52 | 45 | 65 | 28 | 32 |
| VDI.E7.40.32 | 40 | 32 | 66 | 60 | 50 | 75 | 32.5 | 40 |
| VDI.E7.50.32 | 50 | 32 | 66 | 60 | 50 | 75 | 32.5 | 47.5 |
| VDI.E7.50.50 | 50 | 50 | 90 | 80 | 68 | 103 | 35 | 49 |



Oprawka do narzędzi z chwytem walcowym - podwójna, lewa

Double boring bar holder, left

Werkzeughalter mit zwei bohrungen links

Двойные держатели для расточных резцов левые



Form E8

| Kod produktu Order No. Bestell-Nr. Код товара | ϕd (mm) | $\phi d2$ (mm) | L (mm) | L2 (mm) | a (mm) | a1 (mm) | h1 (mm) | h2 (mm) |
|--|------------------|-------------------|-----------|------------|-----------|------------|------------|------------|
| VDI.E8.20.16 | 20 | 16 | 45 | 42 | 32 | 51 | 25 | 25 |
| VDI.E8.20.20 | 20 | 20 | 45 | 42 | 32 | 51 | 25 | 25 |
| VDI.E8.30.25 | 30 | 25 | 56 | 52 | 45 | 65 | 28 | 32 |
| VDI.E8.40.32 | 40 | 32 | 66 | 60 | 50 | 75 | 32.5 | 40 |
| VDI.E8.50.32 | 50 | 32 | 66 | 60 | 50 | 75 | 32.5 | 47.5 |
| VDI.E8.50.50 | 50 | 50 | 90 | 80 | 68 | 103 | 35 | 49 |

