

## Oprawki zaciskowe Weldon DIN1835-B

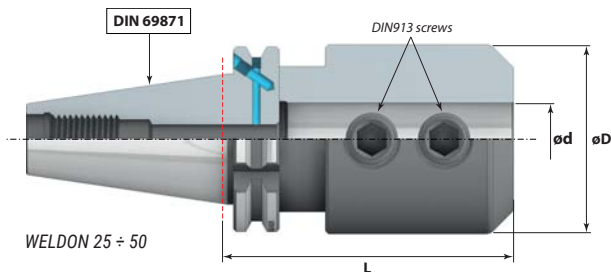
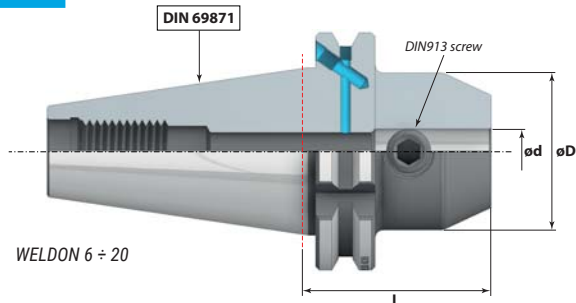
End mill holder for Weldon type end mills DIN1835-B

Fräseraufnahmen für Zylinderschäfte DIN1835-B

Цанговые патроны для инструмента с цилиндрическим хвостовиком Weldon'a DIN1835-B



**WELDON**  
DIN1835-B



**DIN 69871 (DIN)**

**MAS 403-BT (BT)**

Kod produktu Order No. / Bestell-Nr. / Код товара		Stożek Holder (7-24)	ø d (mm)	L DIN / BT (mm)	ø D (mm)
DIN40.WE06.L50	BT40.WE06.L50	40	6	50	25
DIN40.WE06.L100	BT40.WE06.L100	40	6	100	25
DIN40.WE06.L160	BT40.WE06.L160	40	6	160	25
DIN40.WE08.L50	BT40.WE08.L50	40	8	50	28
DIN40.WE08.L100	BT40.WE08.L100	40	8	100	28
DIN40.WE08.L160	BT40.WE08.L160	40	8	160	28
DIN40.WE10.L50	BT40.WE10.L63	40	10	50/63	35
DIN40.WE10.L100	BT40.WE10.L100	40	10	100	35
DIN40.WE10.L160	BT40.WE10.L160	40	10	160	35
DIN40.WE12.L50	BT40.WE12.L63	40	12	50/63	42
DIN40.WE12.L100	BT40.WE12.L100	40	12	100	42
DIN40.WE12.L160	BT40.WE12.L160	40	12	160	42
DIN40.WE16.L63	BT40.WE16.L63	40	16	63	48
DIN40.WE16.L100	BT40.WE16.L100	40	16	100	48
DIN40.WE16.L160	BT40.WE16.L160	40	16	160	48
DIN40.WE18.L50	BT40.WE18.L63	40	18	50/63	50
DIN40.WE18.L100	BT40.WE18.L100	40	18	100	50
DIN40.WE18.L160	BT40.WE18.L160	40	18	160	50
DIN40.WE20.L63	BT40.WE20.L63	40	20	63	52
DIN40.WE20.L100	BT40.WE20.L100	40	20	100	50
DIN40.WE20.L160	BT40.WE20.L160	40	20	160	50
DIN40.WE25.L60	BT40.WE25.L90	40	25	60/90	65
DIN40.WE25.L100	BT40.WE25.L100	40	25	100	65
DIN40.WE25.L160	BT40.WE25.L160	40	25	160	65
DIN40.WE32.L100	BT40.WE32.L100	40	32	100	72
DIN40.WE32.L160	BT40.WE32.L160	40	32	160	72
DIN40.WE40.L115	BT40.WE40.L105	40	40	115/105	80

**G6,3**  
15 000 r.p.m.  
STANDARD  
**AD+B**

### Produkty powiązane / Related Products



Uchwyty narzędziowe wymienione w tabeli są standardem. Wykonujemy również uchwyty w wersji specjalnej wg ustaleń klienta.  
Toolholders in the table are the standard. We also make toolholders in the special version according to the customer settlements.