

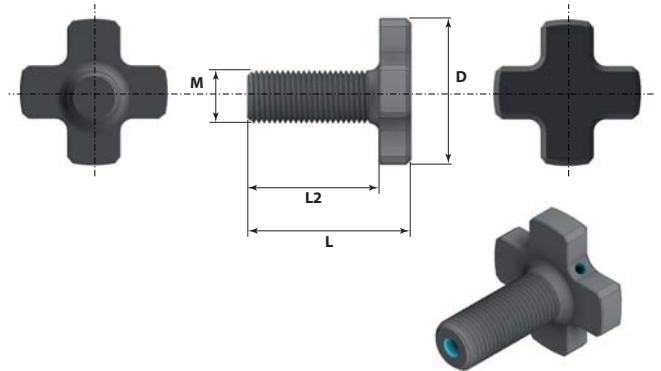
Śruby krzyżowe DIN 6367

Cross retaining screws for shell and combi mill holders DIN 6367
Fräseranzugsschrauben für Fräsdorne DIN 6367
Крестообразный винт

CROSS SCREWS

Z chłodzeniem
With coolant through

Kod produktu Order No. Bestell-Nr. Код товара	M Gwint Thread	D (mm)	L2 (mm)	L (mm)	Kod produktu Order No. Bestell-Nr. Код товара
CROSS.SCREW.16	M8	20	16	22	CROSS.SCREW.16C
CROSS.SCREW.22	M10	28	18	25	CROSS.SCREW.22C
CROSS.SCREW.27	M12	35	22	30	CROSS.SCREW.27C
CROSS.SCREW.32	M16	42	26	35	CROSS.SCREW.32C
CROSS.SCREW.40	M20	52	30	40	CROSS.SCREW.40C

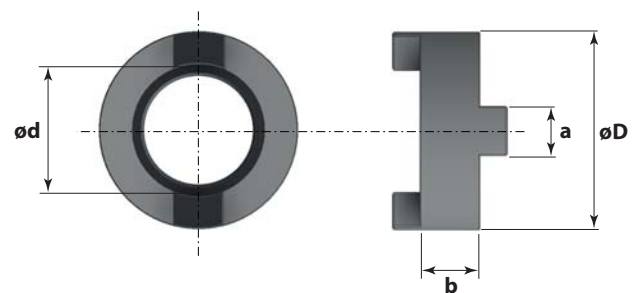


Zabieraki DIN 6366

Clutch drive rings for combination end mill holders DIN 6366
Mitnehmerringe für Fräsdorne DIN 6366
Приводное кольцо

DRIVE RINGS

Kod produktu Order No. Bestell-Nr. Код товара	ø d (mm)	ø D (mm)	a (mm)	b (mm)
DRIVE.RING.16	16	32	8	10
DRIVE.RING.22	22	40	10	12
DRIVE.RING.27	27	48	12	12
DRIVE.RING.32	32	58	14	14
DRIVE.RING.40	40	70	16	14



Nowość / New

Klucze do śrub krzyżowych DIN 6368

Spanners for cross screws DIN 6368
Schlüssel für Fräseranzugsschrauben DIN 6368
Ключ для крестообразных винтов

CS WRENCH

Kod produktu Order No. Bestell-Nr. Код товара	ø d (mm)	Przeznaczenie Assignment
WRENCH.CS16	8	CROSS.SCREW.16
WRENCH.CS22	10	CROSS.SCREW.22
WRENCH.CS27	12	CROSS.SCREW.27
WRENCH.CS32	16	CROSS.SCREW.32
WRENCH.CS40	20	CROSS.SCREW.40

