

Nowość / New

Oprawki zaciskowe termokurczliwe

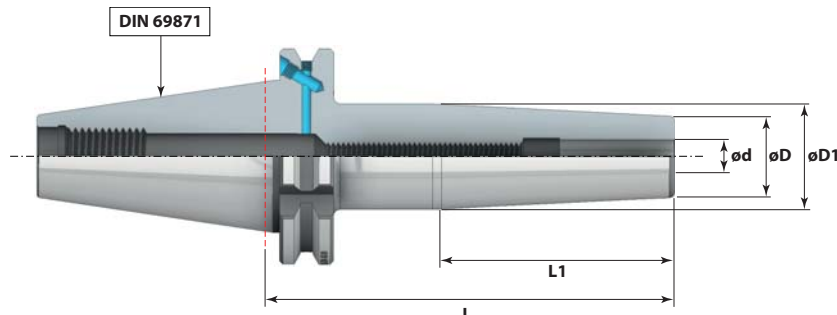
Shrink chucks

Schrumpffutter

Термозажимные патроны



TERMO



DIN 69871 (DIN)

MAS 403-BT (BT)

Kod produktu Order No. / Bestell-Nr. / Код товара		Stożek Holder (7:24)	ø d (mm)	L DIN / BT (mm)	L1 (mm)	ø D (mm)	ø D1 (mm)
DIN50.TE03.L80	BT50.TE03.L100	50	3	80/100	12	10	16
DIN50.TE03.L120	BT50.TE03.L120	50	3	120	12	10	16
DIN50.TE04.L80	BT50.TE04.L100	50	4	80/100	16	15	20
DIN50.TE04.L120	BT50.TE04.L120	50	4	120	16	15	20
DIN50.TE05.L80	BT50.TE05.L100	50	5	80/100	20	15	22
DIN50.TE05.L120	BT50.TE05.L120	50	5	120	20	15	22
DIN50.TE06.L80	BT50.TE06.L100	50	6	80/100	36	21	27
DIN50.TE06.L120	BT50.TE06.L120	50	6	120	36	21	27
DIN50.TE08.L80	BT50.TE08.L100	50	8	80/100	36	21	27
DIN50.TE08.L120	BT50.TE08.L120	50	8	120	36	21	27
DIN50.TE10.L80	BT50.TE10.L100	50	10	80/100	41	24	32
DIN50.TE10.L120	BT50.TE10.L120	50	10	120	41	24	32
DIN50.TE12.L80	BT50.TE12.L100	50	12	80/100	46	24	32
DIN50.TE12.L120	BT50.TE12.L120	50	12	120	46	24	32
DIN50.TE14.L80	BT50.TE14.L100	50	14	80/100	46	24	34
DIN50.TE14.L120	BT50.TE14.L120	50	14	120	46	24	34
DIN50.TE16.L80	BT50.TE16.L100	50	16	80/100	49	24	34
DIN50.TE16.L120	BT50.TE16.L120	50	16	120	49	24	34
DIN50.TE18.L80	BT50.TE18.L100	50	18	80/100	49	33	42
DIN50.TE18.L120	BT50.TE18.L120	50	18	120	49	33	42
DIN50.TE20.L80	BT50.TE20.L100	50	20	80/100	51	33	42
DIN50.TE20.L120	BT50.TE20.L120	50	20	120	51	33	42
DIN50.TE25.L100	BT50.TE25.L110	50	25	100/110	57	44	53
DIN50.TE25.L120	BT50.TE25.L120	50	25	120	57	44	53
DIN50.TE32.L100	BT50.TE32.L110	50	32	100/110	61	44	53
DIN50.TE32.L120	BT50.TE32.L120	50	32	120	61	44	53

G2,5
25 000 r.p.m.
STANDARD
AD+B

Produkty powiązane / Related Products



1

2

3

4

5

6

7

8

9

10

11

12

13

14

15