

## Oprawki zaciskowe do tulejek ER DIN6499 (wersja Mini)

Collet chucks for collets DIN6499 (ER MINI)

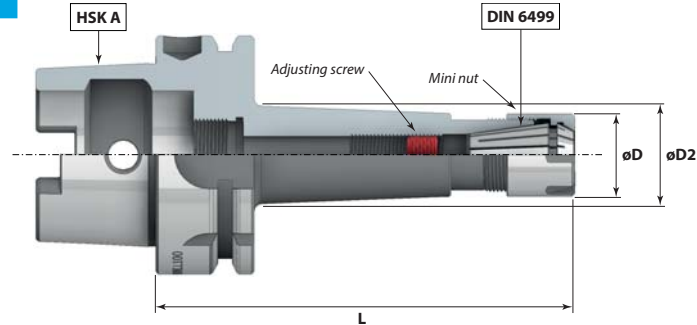
Spannfutter für Spannzangen DIN6499 (ER MINI)

Патроны цанговые с цангой ER по DIN 6499 (MINI)



**ER**  
DIN6499

**MINI**



**DIN 69893 (HSK A/C)**     **DIN 69893 (HSK F)**

Kod produktu Order No. / Bestell-Nr. / Код товара		Stożek Holder (HSK)	Tulejka Collet (DIN6499)	L (mm)	Zakres moc. Clamp. Range (mm)	ø D (mm)	ø D2 A/F (mm)
HSK50A.ER11M.L100	HSK50F.ER11M.L100	50	ER11	100	1 ÷ 7	16	20/19
HSK50A.ER11M.L160	HSK50F.ER11M.L160	50	ER11	160	1 ÷ 7	22	26/25
HSK50A.ER16M.L100	HSK50F.ER16M.L100	50	ER16	100	1 ÷ 10	16	23.5/19
HSK50A.ER16M.L160	HSK50F.ER16M.L160	50	ER16	160	1 ÷ 10	22	28/25
HSK63A.ER11M.L80		63	ER11	80	1 ÷ 7	16	
HSK63A.ER11M.L100	HSK63F.ER11M.L100	63	ER11	100	1 ÷ 7	16	19/19.5
HSK63A.ER11M.L160		63	ER11	160	1 ÷ 7	22	23
HSK63A.ER16M.L100	HSK63F.ER16M.L100	63	ER16	100	1 ÷ 10	22	25
HSK63A.ER16M.L160		63	ER16	160	1 ÷ 10	22	28
HSK63A.ER25M.L100	HSK63F.ER25M.L100	63	ER25	100	1 ÷ 16	35	35/39
HSK63A.ER25M.L160		63	ER25	160	1 ÷ 16	35	42
HSK100A.ER16M.L100		100	ER16	100	1 ÷ 10	22	25
HSK100A.ER16M.L160		100	ER16	160	1 ÷ 10	22	29
HSK100A.ER25M.L100		100	ER25	100	1 ÷ 16	35	
HSK100A.ER25M.L160		100	ER25	160	1 ÷ 16	35	48

**G6,3**  
15 000 r.p.m.  
STANDARD

**G2,5**  
25 000 r.p.m.  
OPTION

### Produkty powiązane / Related Products



Uchwyty narzędziowe wymienione w tabeli są standardem. Wykonujemy również uchwyty w wersji specjalnej wg ustaleń Klienta.  
Toolholders in the table are the standard. We also make toolholders in the special version according to the customer settlements.